



MMG Műszerszerviz Kft.
 1036 Budapest, Dereglye u. 1.,
 Tel/fax: 204-2252, Tel:203-7443
 Web: www.mmg.hu, E-mail: info@mmg.hu

Mechanical pressure gauges

BOURDON TUBE PRESSURE GAUGE - INDUSTRIAL SERIES

KL 160_K_127_2010_12_E

- MM 160 K/127/1,6(1)**
- MM 160 K/227/1,6(1)**
- MM 160 G/127/1,6**
- MM 160 G/227/1,6**



Application:

Suitable for all gaseous and liquid media that will not obstruct the pressure system or attack copper alloy parts. With liquid filled case for applications with high dynamic pressure pulsations or vibrations.

Suitable for industry, mechanical engineering, environmental technology, plant construction, industry and technological systems.

Technical parameters:

Construction:	EN 837-1
Nominal size	160 mm
Accuracy class	1,6%(1%)
Scale range	0-0,6 bar to 0-1000 bar
Working pressure	static load 75% of full scale value dynamic load 65% of full scale value
Operating temperature	ambient 20.....+60°C without liquid filling ambient 20.....+60°C with liquid filling medium max. +80°C without liquid filling medium max. +80°C with liquid filling
Temperature effect	when temperature of the pressure element deviates from reference (+20°C) $\pm 0,04 \times (t_r - t_e) \%$
Movement	brass
Dial	white aluminium, dial marking black
Pointer	black aluminium
Lens	glass (laminated safety glass)*
Case	bayonet ring, stainless steel
Measuring element	bourdon tube ≤ 100 bar type „C“ > 100 bar helical type
Socket	≤ 100 bar Cu-alloy > 100 bar stainless steel
Connection	lower back mount (LBM)
Connection thread	M 20x1,5 (G1/2, other)*
Protection	IP 65 EN 60 529
Filling	glycerine (silicone)*
Options	front flange*

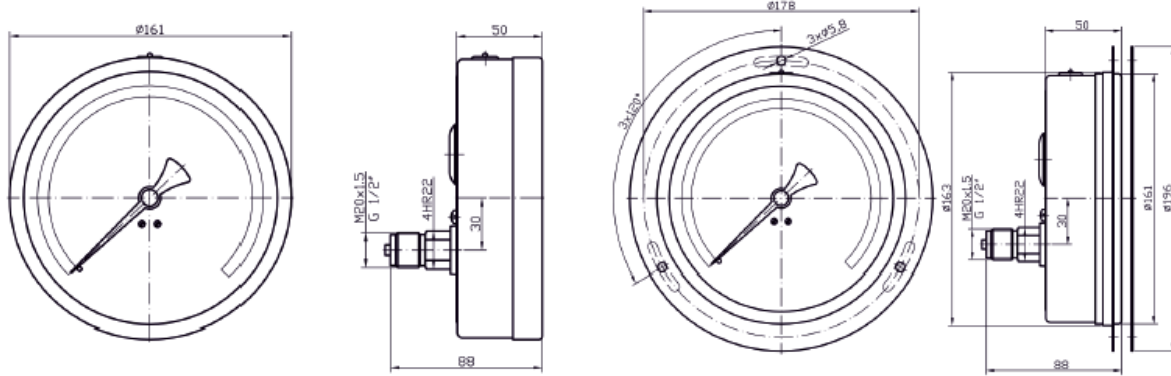
* marked execution on special request

Specifications are subject to change without notice

KL 160_K_127_2010_12_E



MMG Műszerszerviz Kft.
 1036 Budapest, Dereglye u. 1.,
 Tel/fax: 204-2252, Tel:203-7443
 Web: www.mmg.hu, E-mail: info@mmg.hu



IDENTIFICATION:

model	execution	pressure range	flange	weight
MM 160 K/127/1,6(1)	dry	0-0,6 bar ÷ 0-100 bar		920 g
MM 160 K/227/1,6(1)	dry	0-160 bar ÷ 0-1000 bar		920 g
MM 160 K/157/1,6(1)	dry	0-0,6 bar ÷ 0-100 bar	front	1060 g
MM 160 K/257/1,6(1)	dry	0-160 bar ÷ 0-1000 bar		1060 g
MM 160 G/127/1,6	glycerne	0-0,6 bar ÷ 0-100 bar	front	1860 g
MM 160 G/227/1,6	glycerne	0-160 bar ÷ 0-1000 bar		1860 g
MM 160 G/157/1,6	glycerne	0-0,6 bar ÷ 0-100 bar	front	2000 g
MM 160 G/257/1,6	glycerne	0-160 bar ÷ 0-1000 bar	front	2000 g