



MMG Műszerszerviz Kft.

1036 Budapest, Dereglye u. 1.,

Tel/fax: 204-2252, Tel:203-7443

Web: www.mmg.hu, E-mail: info@mmg.hu

APPLICATION

- In common measuring circuits of systems of industrial automation;
- For fast complete closing or opening of flow of the operation liquid, which can flow through the ball cock in both directions; the recommended direction is identified with an arrow on the body;
- In design with test and venting valve for venting the piping or inspection (TEST) of the measuring equipment (manometer) during the operation;
- As selected equipment BT2 and BT3 pursuant to the Decree No. 214/1997 Coll. on ensuring quality in activities related with the use of nuclear energy and activities resulting in radiation and on establishment of criteria for inclusion and classification of selected equipment into safety classes;
- As pressure equipment of category III pursuant to the Decree of the Government 26/2003 Coll. (compliance assessment module B+D);
- As special design in purity grade for oxygen (O₂), this armature is delivered perfectly degreased and provided with suspended blue tag (code P2S);
- As special design with purity of inner surfaces of grade I pursuant to TPE 10-40/1926/85 (code PC1).
- For industrial environment with concentration of SO₂ and environment with sea climate.

The ball cocks may not be used for regulating the flow; it concerns a closing full-flow armature.

The ball cocks are rated products pursuant to the Act No. 22/1997 Coll. and the Declaration of Conformity **EC-971000** is issued for them.

DESCRIPTION

The basis of the cock consists of a body, in which the stop ball is located. With the use of a shaft, it is connected with a handle for manual control of the cock.

The positions of the cock "CLOSED" - "OPEN" (OFF-ON) are achieved by the movement of the handle to the stop.

The design of the cock is antistatic and ensures electric interconnection of all parts, which are in contact with the operation liquid and jacket (body) of the armature.

The cock design also ensures protection against possible pushing out of the control mechanism from the cock body.

The cock body does not contain "dead areas", in which residue of operation liquids could remain or where their solid compounds could be deposited.

Flanges with weld-on optional inlet and outlet connecting terminals are screwed to the unit.

The cocks are also made in a lockable design or with threads for a holder.

The stop element of the armature (ball) revolves around its axis that is vertical to the direction of flow and in the open position, the operation liquid flows through the ball cock.

The cock is closed (opened) by turning the handle to the right (left) by 90° to the stop, which results in full closure or opening of the ball cock.

TECHNICAL DATA

Technical requirements for ball cocks are specified in ČSN 13 4103.

Nominal internal diameter pursuant to ČSN EN ISO 6708: DN 10

Nominal pressure pursuant to ČSN EN 1333: PN 160

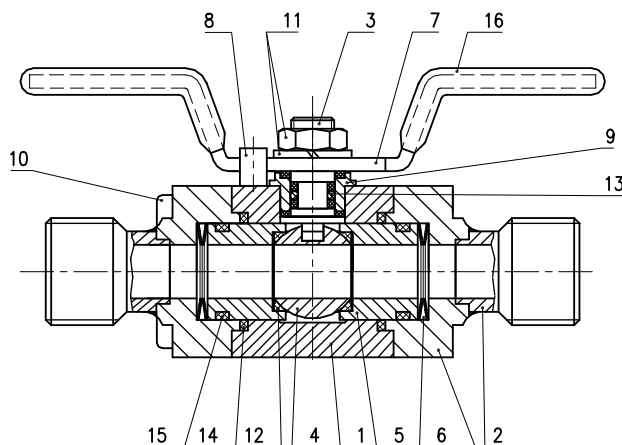
Operation position: discretionary

Weight:

Direct cock	approx. 0.6 kg
Manometric stop cock	approx. 0.7 kg
Manometric test cock	approx. 0.8 kg
Direct cock with extended shaft	approx. 0.7 kg

Type of operation: continuous

Connection to piping: optional input and output connecting terminals pursuant to tab. 2



Position	Name of part	Material
1	Body	1.4541 *
2	Flanges and terminals	1.4541 *
3	Shaft	1.4541 *
4	Ball	AISI 316Ti *
5	Thrust pistons	1.4541 *
6	Disc springs	1.4310
7	Handle	1.4541 *
8	Stop of handle	1.4541 *
9	Shaft case	1.4541 *
10	Screws	Stainless steel A2
11	Nut, washer	Stainless steel A2
12	Seat	PTFE+PVDF
13	Seal	FPM (NBR)+PTFE+PVDF
14	Sealing of flanges	FPM (NBR)
15	Sealing of piston	FPM (NBR)
16	Handle roll-on	VINYL

*) The manufacturer has the relevant certificate 3.1 for these materials pursuant to ČSN EN 10204

OPERATION CONDITIONS

Ball cocks are designed for the environment defined by the group of parameters and their severity grades IE36/3C4 for SO₂ pursuant to ČSN EN 60721-3-3 and the following operation conditions, (i.e. in places with minimum protection against daily fluctuations of the outside climate, exposed to sunshine, with effects of precipitations carried by rain.

Ball cocks can be exposed to sea climate from time to time pursuant to ČSN EN 60068-2-52, severity grade 2.

Relative ambient humidity:

10 to 100 % with condensation, with upper level of water content 29 g H₂O/kg of dry air

Atmospheric pressure: 70 to 106 kPa

Maximum operation temperature:

150 °C - with sealing from material FPM

125 °C - with sealing from material NBR

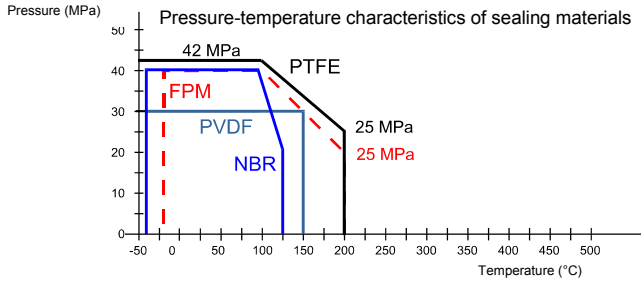
Operation liquid: technical water, other liquids and gaseous fuels

PRESSURE AND TEMPERATURE CHARACTERISTICS

Values of pressure and temperature of operation medium, for which the armature may be used, are determined, in particular, by the material of seat sealing and seal of the ball cock and also by material of the cock body.

When selecting the operation conditions, it is necessary to consider both charts. Operation characteristics of the armature are determined by the material with worse parameters.

Pressure-temperature characteristics of materials of shaft sealing

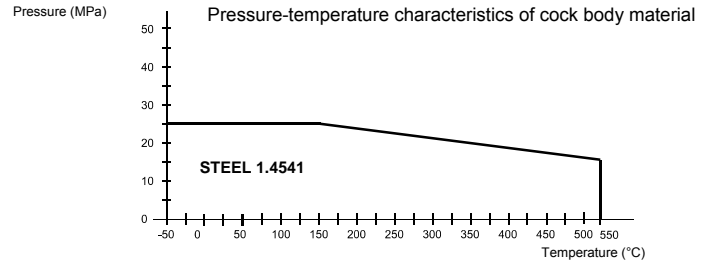


CHEMICAL RESISTANCE OF SEALING MATERIALS

Chemical resistance of materials of sealing elements represents an important parameter, which determines reliability of the valve. The following table includes informative data of the most frequently used substances together with chemical resistance of sealing element materials. If other substances are used, chemical resistance tests shall be performed directly at the customer in the expected operation conditions (temperature, pressure, concentration ...)

Medium		FPM	NBR	PTFE	PVDF	
Acetone		-	-	*	+	
Acetylene		+	+	+	+	
Petrol		+	*	+	+	
Ammonia	aqueous solution	-	-	+	+	
	liquid	-	*		+	
	gaseous	*	*		+	
Ethylene		+	+		+	
Hydraulic fluids	not flammable	*	-		+	
Hydroxides		*	*		+	
ACIDS	Boric	+	+	+	+	
	Citric	+	+	*	+	
	Nitric	-	+	-	+	
	Hydrofluoric	< 65%	*	+	-	+
		> 65%	*		-	
	Phosphoric	10%	+	+	+	+
		concentrate	+	+	+	+
	Hydrochloric	10%, 80°C	*	+	-	+
		36%, 20°C	*	+	*	+
	Chromic		+		-	
	Malic		+	+	+	+
	Carbolic		-		-	
	Hydrocyanic		+		*	
	Butyric		*		*	
	Lactic		+	+	*	+
	Formic	10%	-	+	-	+
		10%	-	+	-	+
	Acetic	10%	-		-	
		concentrate	-		-	
	Salicylic		+	+	+	+
Sulphuric	25%	*	+	*	+	
	80%	-	*	-	*	
Oxalic	10%	+	+	+	+	
Carbonic		+	+	+	+	
Tartaric		+	+	+	+	
Oxygen		+	-	+	+	
Oils		+	*	+	+	
Steam	< 200°C	*	-		+	
	> 200°C	-	-	-	-	
Perchloroethylene		+	*	+	+	
Kerosene		+	*	+	+	
Gaseous fuels		+	+	+	+	
Radioactive radiation		*	*	-	-	
Compressed air		+	+	+	+	
Toluene, trichloroethylene		*	-	+		
Hydrocarbons		+	+	+	+	
Water	< 80°C	+	+	+	+	
	> 80°C	+	*	+	+	
Hydrogen	cold	+	+	+	+	

Pressure-temperature characteristics of armature body material



hot	+	*	+	+
-----	---	---	---	---

- + great resistance
- not resistant
- * good or conditional resistance
- vacant no information is available

DESIGNATION

(pursuant to ČSN 13 3005-1)

Data on cock body

- Trade mark of the manufacturer
- Product ordering number
- Time code (manufacturing number for orders pursuant to Decree 214/1997 Coll., for design for O₂ and for design with code PC1)
- Nominal internal diameter
- Nominal pressure
- Maximum operation temperature
- Body material
- Casting number of body material
- Mark of performed pressure test
- Code of shaft seal sealing
- Arrow indicating recommended direction of medium flow
- CE mark 1015

Data on cock handle

- Arrows and terms OFF – ON identifying direction of CLOSING – OPENING the cock

Data on weld-on cone and weld-on sleeve

- Material

The armature in purity grade for O₂ is marked with a suspended blue tag.

DELIVERY

Unless agreed otherwise with the customer, each delivery includes

- Delivery note
- Products pursuant to the purchase order
- Accompanying technical documentation in Czech:
 - o Product quality and completeness certificate, which also serves as the warranty certificate
 - o EC Declaration of Conformity
 - o Test report and list of used materials
 - o Product manual
 - o Inspection report for design for O₂ (only in case of armature with code P2S)
 - o Inspection report about purity of internal surfaces (only in case of armature with code PC1)

If it is established in the purchase contract or agreed otherwise, the following documentation can be also delivered with the product:

- Copy of inspection certificate 3.1 pursuant to ČSN EN 10204 for body material and other parts pursuant to the table of used materials with casting number
- Declaration of Conformity with the purchase order 2.1 pursuant to ČSN EN 10204
- Copy of the test report about resistance to surrounding conditions

CERTIFICATION

- Pressure equipment of category III pursuant to the Decree of the Government 26/2003 Coll. (compliance assessment module B+D), EC-Type Examination certificate of SZÚ Brno

PLACING AN ORDER

The purchase order shall specify:

- Name
- Product ordering number
- Other (special) requirements
- Number of pieces

Special requirement:

Ball cock PN 160
971 71 99 99
5 pcs

PURCHASE ORDER EXAMPLE

Standard design:

1. Ball cock PN 160
971 11 15 15 W2 BM1 D1
20 pcs
2. Ball cock PN 160
971 11 15 21 W1 BZ1 K KU5
20 pcs

TABLE 1 – DESIGN OF BALL COCKS, TYPE 971

SPECIFICATIONS		ORDERING NUMBER								Accessories ¹⁾
		971	x	1	xx	xx	xx	xxx	xxx	
DESIGN OF COCK pursuant to Figure 1 to 4	Direct		1	1						
	Manometric stop (with venting valve)		4	1						
	Manometric test (test + venting valve)		5	1						
	Direct with extended shaft ²⁾		7	1						
CONNECTING TERMINALS pursuant to table 2	of inlet				xx					
	of outlet					xx				
SHAFT SEAL	O-ring FPM (-20 to +150°C) +PTFE+PVDF						W1			
	O-ring NBR (-30 to +125°C) +PTFE+PVDF						W2			
COLOUR OF HANDLE ROLL- ON	Green							BZ1		
	Red							BR1		
	Blue							BM1		
	Yellow							BY1		
SPECIAL TREATMENT	Lockable design								U1	
	Threads for holder (2 x M5)								D1	
	Purity grade for O ₂								P2S	
	Cleanness of internal surfaces of equipment of grade I								PC1	

¹⁾ Behind the ordering number, you can add codes of accessories pursuant to table 3 - OVERVIEW OF OPTIONAL ACCESSORIES

²⁾ Only as a special request on the basis of an agreement with the manufacturer

TABLE 2 - OVERVIEW OF CONNECTING TERMINALS

All specified connecting terminals (with the exception of terminals with codes 31, 35 and 37) are designed for full flow-through with nominal inner diameter DN 10.

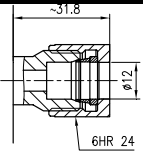
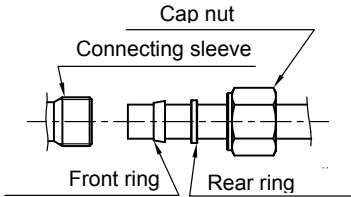
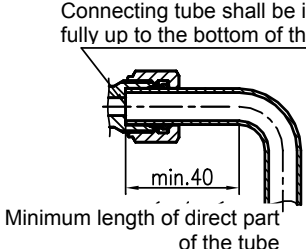
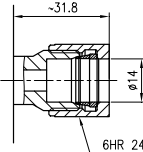
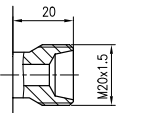
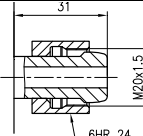
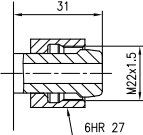
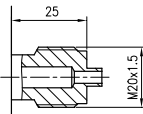
CODE	DRAWING	INSTALLATION PROCEDURE FOR CONNECTING TERMINALS WITH THREADED RINGS
14		<p>By means of a cap nut and two rings, a tube made of plain carbon steel, alloy steel or corrosion-resistant steel (pursuant to ČSN EN 10216-2+A2 and ČSN EN 10216-5) with Ø12 or Ø14 mm with tolerance of outside diameter ± 0.3 mm can be connected in a way that enables further uninstallation.</p> <p>FIRST INSTALLATION:</p> <ol style="list-style-type: none"> Slide the cap nut, rear (cylindrical) ring and front (conical) ring on the straight-cut end of the tube hat is free of burrs – pay attention to its orientation! To ensure correct function, it is necessary to maintain the layer of grease applied by the manufacturer on the conical sealing surface, rear ring and threads! Insert the end of the tube with rings into the connecting sleeve up to the bottom and tighten the cap nut by hand. Tighten the cap nut with a torque-limiting wrench with the torque of 60 Nm (for tube Ø 12 mm) or 65 Nm (for tube Ø 14 mm). <p>UNINSTALLATION + REPEATED INSTALLATION:</p> <ol style="list-style-type: none"> Uninstallation shall be realized by complete unscrewing of the cap nut <u>after pressure has been completely discharged from the system.</u> Before repeated installation, check cleanliness of the tube, threads and all sealing surfaces and pay attention to any possible damage. Rotation of the front threaded ring on the tube is not a defect! To ensure correct function, it is suitable to maintain the layer of grease applied by the manufacturer on the conical sealing surface, rear ring and threads; otherwise, they should be greased again. If required, this original grease can be ordered at the manufacturer of the armature. The installation is realized by inserting the end of the tube with rings and cap nut up to the bottom of the connecting sleeve. Tighten the cap nut by hand. By means of a torque wrench, tighten the nut by torque for repeated installation, i.e. 53 Nm (for tube Ø 12 mm) or 55 Nm (for tube Ø 14 mm). <p>WARNING: <u>THE CAP NUT MAY NEVER BE TIGHTENED (RELEASED) UNDER PRESSURE – it can result in a lethal injury!!!</u></p> <p>A failure to comply with the aforesaid torque (i.e. insufficient or excessive tightening of the cap nut) during the installation and with the minimum straight part of the tube from its end results in decreasing resistance of the connection to pressures and vibrations, which could then cause leakage of the connection.</p> <p>If vibrations of the piping system occur, the armature to be connected shall be fixed by means of a suitable holder and the connecting piping shall be attached in certain distances by tube fittings.</p> <div style="display: flex; justify-content: space-around; align-items: flex-end;"> <div style="text-align: center;">  <p>Cap nut Connecting sleeve Front ring Rear ring</p> </div> <div style="text-align: center;">  <p>Connecting tube shall be inserted fully up to the bottom of the sleeve . min.40 Minimum length of direct part of the tube</p> </div> </div>
15		

TABLE 2 - OVERVIEW OF CONNECTING TERMINALS – continuation from previous page

CODE	DRAWING	DESCRIPTION AND INSTALLATION PROCEDURE
21		<p style="text-align: center;">SCREW-UNION FOR CONE</p> <ol style="list-style-type: none"> Put a cap nut on the cone Weld the cone on the tube end By means of a nut, screw the tube to the sleeve, hold the cock flange with side wrench 32 and tighten the nut with torque of 120 Nm.
22		<p style="text-align: center;">WELD-ON CONE WITH CAP NUT M20x1.5</p> <p>By means of the nut, screw the armature to the screw-union for a cone, which forms a part of e.g. condensation tank, another valve, etc., hold the cock flange with a side wrench 32 and tighten the nut with torque of 120 Nm.</p>
23		<p style="text-align: center;">WELD-ON CONE WITH CAP NUT M22x1.5</p> <p>By means of the nut, screw the armature to the screw-union for a cone with the corresponding thread, which forms a part of e.g. piping, hold the cock flange with a side wrench 32 and tighten the nut with torque of 150 Nm.</p>
31		<p style="text-align: center;">MANOMETRIC SCREW-UNION M20x1.5</p> <ol style="list-style-type: none"> Put a cap nut on the sleeve Weld the sleeve on the tube end Put a metal sealing on the screw-union By means of a nut, screw the piping to the screw-union, hold the cock flange with side wrench 32 and tighten the nut with torque of 120 Nm.

32		<p align="center">WELD-ON SLEEVE WITH CAP NUT M20x1.5</p> <p>By means of a nut, screw the armature to the manometric screw-union with the corresponding thread, hold the cock flange with side wrench 32 and tighten the nut with torque of 120 Nm.</p>
33		<p align="center">SCREW-UNION WITH MANOMETRIC CONNECTION M20x1.5 LH / M20x1.5</p> <p>The screw-union is used to connect a manometer or valve with this screw-union.</p> <ol style="list-style-type: none"> 1. Put a metal sealing on the screw-union of the manometer. 2. Screw the manometer and the armature together with the use of a sleeve coupling (it is delivered with the armature), hold the cock flange with side wrench 32 and tighten the nut with torque of 120 Nm.
34		<p align="center">TEST SCREW-UNION M20x1.5</p> <p>The screw-union is used to connect control manometer. It is delivered including the plug with sealing. Recommended torque is 120 Nm.</p>
35		<p align="center">MANOMETRIC SCREW-UNION G1/2</p> <ol style="list-style-type: none"> 1. Put a cap nut on the sleeve 2. Weld the sleeve on the tube end 3. Put a metal sealing on the screw-union 4. By means of a nut, screw the piping to the screw-union, hold the cock flange with side wrench 32 and tighten the nut with torque of 120 Nm.
36		<p align="center">WELD-ON SLEEVE WITH CAP NUT G1/2</p> <p>By means of a nut, screw the armature to the manometric screw-union with a corresponding thread, hold the cock flange with side wrench 32 and tighten the nut with torque of 120 Nm.</p>
37		<p align="center">WELD-ON SLEEVE WITH CAP NUT M20x1.5 WITH SEALING PURSUANT TO STANDARD SHELL</p> <p>By means of a nut, screw the armature to the manometric screw-union, hold the cock flange with side wrench 32 and tighten the nut with torque of 120 Nm. Tightness is ensured with stainless sealing ring made of soft steel.</p>
39		<p align="center">SCREW-UNION WITH MANOMETRIC CONNECTION M20x1.5 LH / G1/2</p> <p>The screw-union is used to connect a manometer or valve with manometric screw-union G1/2.</p> <ol style="list-style-type: none"> 1. Put a metal sealing on the screw-union of the manometer. 2. Screw the manometer and the armature together with the use of a manometric connection (it is delivered with the armature), which shall be tightened with torque of approx. 120 Nm.
42		<p align="center">EXTERNAL THREAD 1/2 - 14 NPT</p> <ol style="list-style-type: none"> 1. Wind up sealing tape of PTFE on the thread. 2. Screw the armature into the hole with corresponding internal thread, hold the cock flange with side wrench 32 and tighten the nut with torque of 120 Nm.
54		<p align="center">INTERNAL THREAD 1/2 - 14 NPT</p> <p>The thread is cut in the weld-on terminal.</p> <ol style="list-style-type: none"> 1. Wind up sealing tape of PTFE on a corresponding external thread 2. Screw the screw-union or tube into the hole in the armature, hold the cock flange with side wrench 32 and tighten the nut with torque of 120 Nm.

TABLE 2 - OVERVIEW OF CONNECTING TERMINALS – continuation from previous page

62		<p align="center">EXTERNAL THREAD G1/2</p> <p>Wind up sealing tape of PTFE on the thread. Hold the cock flange with side wrench 32 and tighten the nut with torque of 120 Nm.</p>
72		<p align="center">INTERNAL THREAD G1/2</p> <p>The thread is cut in the weld-on flange.</p> <ol style="list-style-type: none"> 1. Wind up sealing tape of PTFE on a corresponding external thread 2. Screw the screw-union or tube into the hole in the weld-on terminal 3. Hold the cock flange with side wrench 32 and tighten the nut with torque of 120 Nm.
99	ANOTHER CONNECTING TERMINAL	

TABLE 3 OVERVIEW OF OPTIONAL ACCESSORIES

WELD-ON CONE WITH CAP NUT

CODE	MATERIAL		INNER DIAMETER	DRAWING
KU1	Carbon steel	1.0569	7	
KU2	Stainless steel	1.4541		
KU3	Creep-resisting steel	15 128		
KKU4	Carbon steel	1.0569	10	
KKU5	Stainless steel	1.4541		
KKU6	Creep-resisting steel	15 128		

The cone is delivered by 1 piece, welded in a PE bag together with the relevant cap nut.

After putting the cap nut on the cone and welding the cone on the piping, it is possible to connect an armature to the cone, which is provided with a corresponding screw-union for the cone according to the dimensional drawing of the screw-union.

MATERIAL OF NUT	DRAWING OF NUT	DRAWING OF SCREW-UNION
Stainless steel 1.4541		
Carbon steel 11 109.0 (only for KU1 and KU4)		

WELD-ON SLEEVE WITH CAP NUT AND SEALING

CODE	MATERIAL OF SLEEVE		THREAD OF NUT	SLEEVE		
				INNER DIAMETER	DRAWING	
NA1	Carbon steel	1.0569	M20 x 1.5	6.5		
NA2	Stainless steel	1.4541				
NA3	Creep-resisting steel	15 128				
NAG1	Carbon steel	1.0569	G 1/2		6.5	
NAG2	Stainless steel	1.4541				
NAG3	Creep-resisting steel	15 128				
NA4	Carbon steel	1.0569	M20 x 1.5	6.5		
NA5	Stainless steel	1.4541				
NA6	Creep-resisting steel	15 128				
NAG4	Carbon steel	1.0569	G 1/2		6.5	
NAG5	Stainless steel	1.4541				
NAG6	Creep-resisting steel	15 128				

The sleeve is delivered by 1 piece, welded in a PE bag together with the relevant cap nut and aluminium sealing. After putting the cap nut on the sleeve and welding the sleeve on the piping, it is possible to connect an armature, which is provided with a corresponding screw-union for the sleeve according to the dimensional drawing of the screw-union, to the piping.

MATERIAL OF NUT	DIMENSIONAL DRAWING OF NUT	DRAWING OF SCREW-UNION
Stainless steel 1.4541		
Carbon steel 11 109.0 (only for NA1, NAG1 NA4 and NAG4)		

Sealing rings made of other materials can also be ordered independently according to the following ordering numbers.

ORDERING NUMBER	MATERIAL OF SEALING		DRAWING OF SEALING
382 041	Al	EN AW-1050A	
382 063	Oc	1.4541	
382 096	Oc	1.4404	
276 067	Cu	42 3005	

Figure 1 - Ball cock - direct (971 11 ..), dimensional drawing

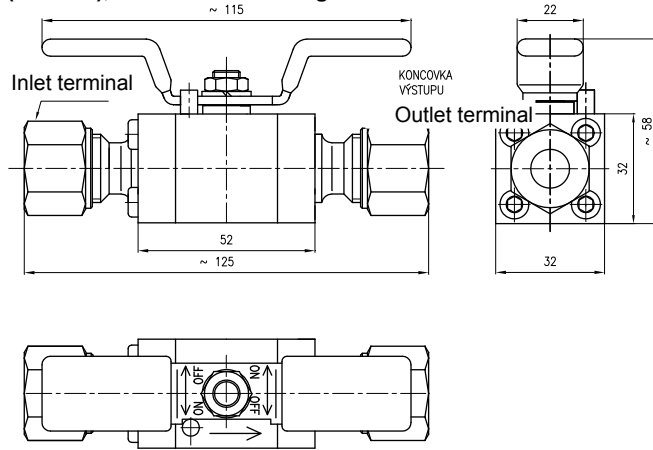


Figure 2 Ball cock - manometric stop (971 41 ..), dimensional drawing

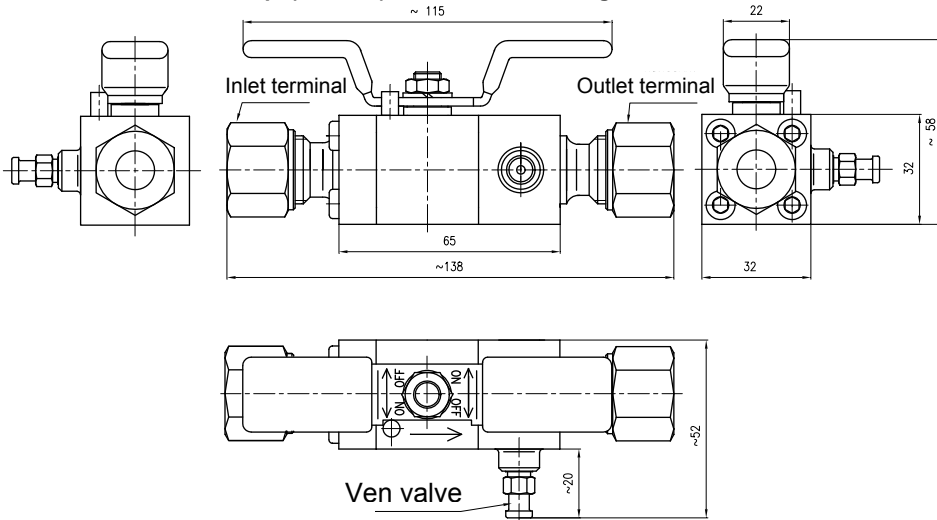


Figure 3 Ball cock - manometric test (971 51 ..), dimensional drawing

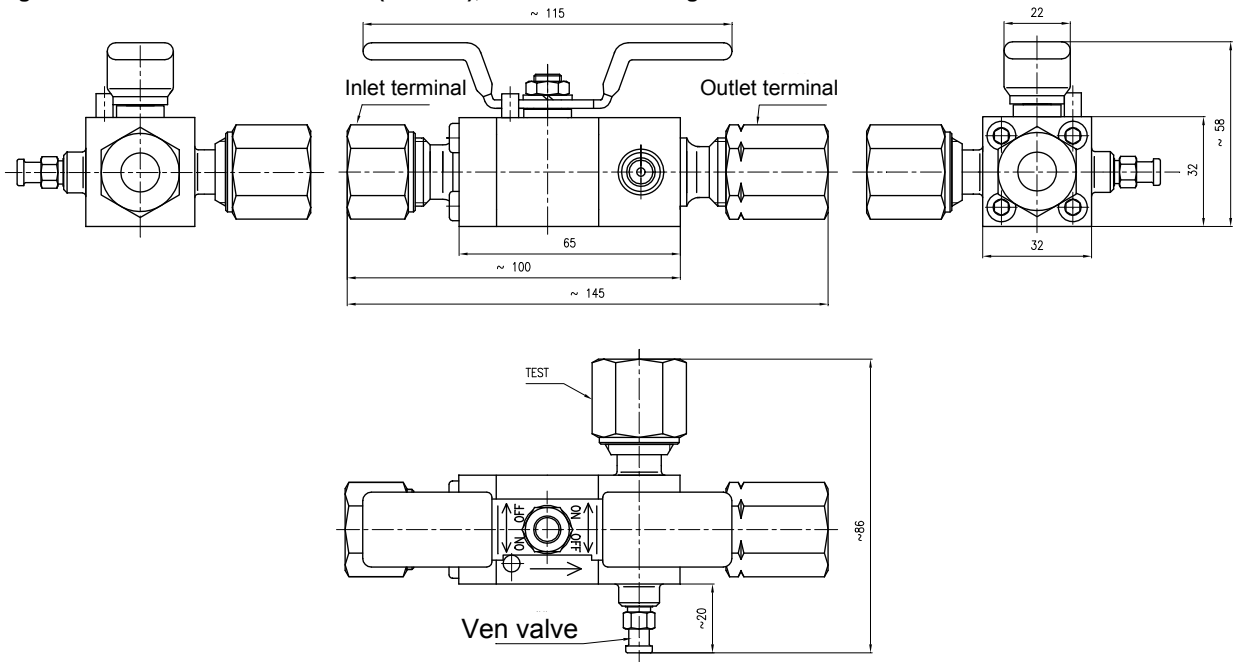


Figure 4 Ball cock – with extended shaft (971 71 ..) only as a special requirement, dimensional drawing

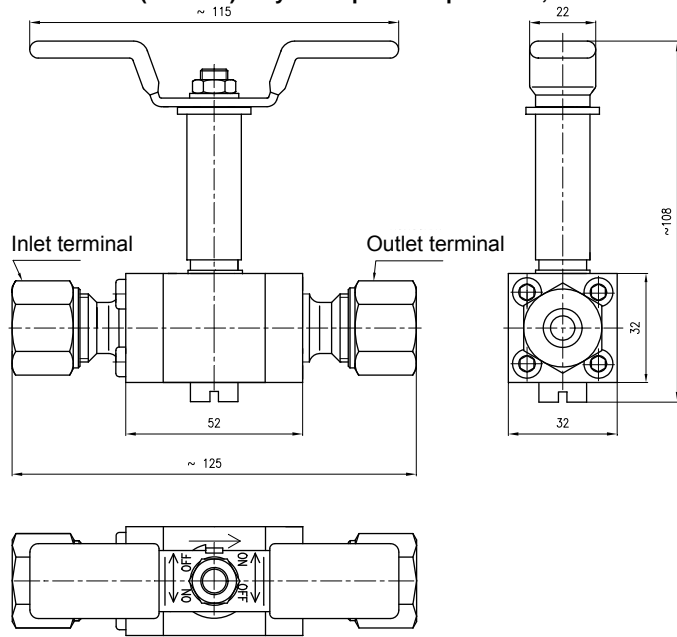


Figure 5 Ball cock - example of special modification - lockable design (971 .. U1), dimensional drawing

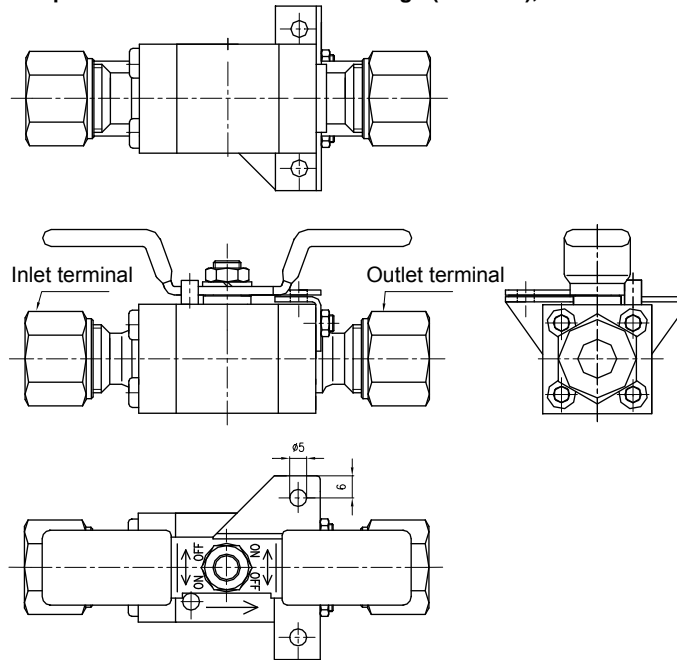
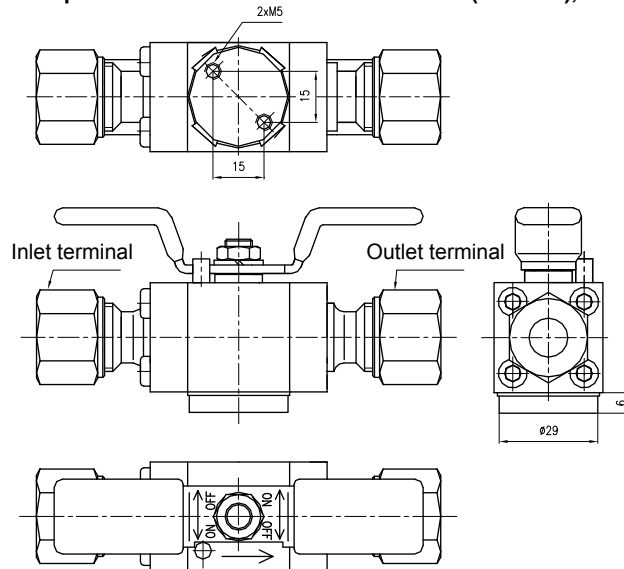


Figure 6 Ball cock - example of special modification - threads for holder (971 .. D1), dimensional drawing



PACKING

Both products and accessories are delivered in a packing ensuring resistance to the impact of thermal effects and mechanical effects pursuant to controlled packing regulations.

TRANSPORT

The products may be transported on conditions corresponding to the set of combinations of classes IE 23 pursuant to ČSN EN 60721-3-2 (i.e. by airplanes, trucks, drop-side trucks and trailers, railway wagons with specially designed shock absorbers and ships, in premises that are not ventilated and protected against atmospheric conditions).

STORAGE

The products may be stored on conditions corresponding to the set of combinations of classes IE 13/1C3 pro SO₂ pursuant to ČSN EN 60721-3-1, at ambient temperature from -30 to +55 °C (i.e. in places providing minimum protection against daily fluctuations of the outside climate, exposed to sunshine, effects of precipitations carried by wind, with a danger of growth of yeasts and attacks by animals, with the exception of termites, in close vicinity of sources of dust and sand, with vibrations of small significance).

INSTALLATION AND CONNECTION

The cock installation may be realized by a worker of the installation or service organization.

Installation and uninstallation of the screw-union of selected equipment pursuant to Decree 214/1997 Coll. for the connection of the ball cock, type 971 ZPA Nová Paka, a. s., their operation and maintenance may only be performed by a bearer of the authorization, which is issued by the manufacturer of the armatures on the basis of taken training.

The operation liquid may flow through the ball cock in both directions. The arrow in the upper part of the body indicating the recommended direction of flow only serves for identification of inlet and outlet terminals in case they are different.

Installation of the cock shall be realized directly on the piping by means of inlet and outlet connecting terminals or by means of a suitable holder (in case of a cock with design with threads 2 x M 5 for holder).

The procedure of correct connection of the terminals with threaded rings is specified on the instruction label, which forms a part of the delivery of the cock.

COMMISSIONING

After the installation (connection of the piping) and inspection of the correct position of the control handle (lockable design can be provided with a suitable padlock), the ball cock is prepared for operation.

The cock in design with a venting valve enables to vent the piping before it is commissioned.

OPERATION AND MAINTENANCE

The cock is closed (opened) by turning the handle to the right (left) by 90° to the stop, which results in full closure or opening of the ball cock. The positions of the cock "CLOSED" - "OPEN" (OFF-ON) are achieved by the movement of the handle to the stop. Intermediate positions are not recommended on principle – danger of damaging seats and losing tightness.

The cocks in design with test and venting valve enable to vent the piping or inspect (TEST) the measuring equipment (manometer) during the operation.

The cock may only be cleaned by service workers of the manufacturer.

PROCEDURE IN CASE OF FINDING LEAKAGE OF THE CONNECTION WITH THREADED RINGS

Possible leakage of the connection can be caused by unauthorized installation, e.g. by failure to comply with required torque (i.e. excessive or insufficient tightening of the cap nut), failure to comply with the minimum direct part of the tube from its end or application of this connection in conditions with increased level of vibrations without any fixation of the armature and connecting tubes, especially of those of bigger lengths.



WARNING

The cap nut may never be tightened (released) under pressure – it could cause lethal injury!!!

Uninstallation and repeated installation of the connection shall be realized pursuant to table 2 - INSTALLATION PROCEDURE FOR CONNECTING TERMINALS WITH THREADED RINGS.

RELIABILITY

Indicators of reliability in operation conditions and ambient conditions specified herein

- Medium time of operation between failures 96 000 hours (inf. value)
- Expected service life 10 years

SPARE PARTS

The ball cock design does not require any delivery of spare parts.

WARRANTY

Pursuant to Section 429 of the Commercial Code and the provisions of Section 620 (2) of the Civil Code, the manufacturer warrants for technical and operation parameters of the product specified in the manual. The warranty period is 36 months from the receiving of the product by the customer, unless established otherwise in the contract. The manufacturer

warrants for the parts, which are subjected to natural wear and are replaceable as a part of common maintenance of the product (seal sealing, sealing O-rings, etc.), for the period of 24 months.

Rejection of defects shall be enforced in writing at the manufacturer within the warranty period. The rejecting side shall identify the product name, ordering and manufacturing numbers, date of issue and number of the delivery note, clear description of the occurring defect and the subject of the claim. If the rejecting side is invited to send the device for repair, it shall do so in the original package of the manufacturer and/or in another package ensuring safe transport.

The warranty shall not apply to defects caused by unauthorized intervention into the device, its forced mechanical damage or failure to comply with operation conditions of the product and the product manual.

REPAIRS

The cocks shall be repaired by the manufacturer. They shall be sent for repair in the original or equal package without accessories.

DISABLING AND LIQUIDATION

They shall be realized in compliance with the Waste Act No. 106/2005 Coll.

The product and its package do not include any parts that could impact the environment.

Products that are withdrawn from operation (including their packages) may be disposed of to sorted or unsorted waste pursuant to the type of waste.

The package of the product can be recycled completely. Metal parts of the product are recycled, non-recyclable plastic materials shall be disposed of in compliance with the aforesaid Act.



MMG Műszerszerviz Kft.

1036 Budapest, Dereglye u. 1.,

Tel/fax: 204-2252, Tel:203-7443

Web: www.mmg.hu, E-mail: info@mmg.hu