



MMG Műszerszerviz Kft.
1036 Budapest, Dereglye u. 1.,
Tel/fax: 204-2252, Tel:203-7443
Web: www.mmg.hu, E-mail: info@mmg.hu

Mechanical pressure gauges

BOURDON TUBE PRESSURE GAUGE - INDUSTRIAL SERIES

KL 100_K_117_2010_12_E



MM 100 K/117/1,6(1)
MM 100 K/217/1,6(1)
MM 100 G/117/1,6
MM 100 G/217/1,6

Application:

Suitable for all gaseous and liquid media that will not obstruct the pressure system or attack copper alloy parts. With liquid filled case for applications with high dynamic pressure pulsations or vibrations.

Suitable for industry, mechanical engineering, environmental technology, plant construction, industry and technological systems.

Technical parameters

Construction:	EN 837-1
Nominal size	100 mm
Accuracy class	1,6% (1%)
Scale range	0-0,6 bar to 0-1000 bar
Working pressure	static load 75% of full scale value dynamic load 65% of full scale value
Operating temperature	ambient 20.....+60°C without liquid filling ambient 20.....+60°C with liquid filling medium max. +80°C without liquid filling medium max. +80°C with liquid filling
Temperature effect	when temperature of the pressure element deviates from reference (+20°C) $\pm 0,04 \times (t_2 - t_1) \%$
Movement	brass
Dial	white aluminium, dial marking black
Pointer	black aluminium
Lens	glass (laminated safety glass)*
Case	bayonet ring, stainless steel
Measuring element	bourdon tube ≤ 60 bar „C“ type > 60 bar helical type
Socket	≤ 60 bar Cu-alloy > 60 bar stainless steel
Connection	lower mount (LM)
Connection thread	M 20x1,5 (G1/2, other)*
Protection	IP 65 EN 60 529
Filling	glycerine (silicone)*
Options	backward flange*

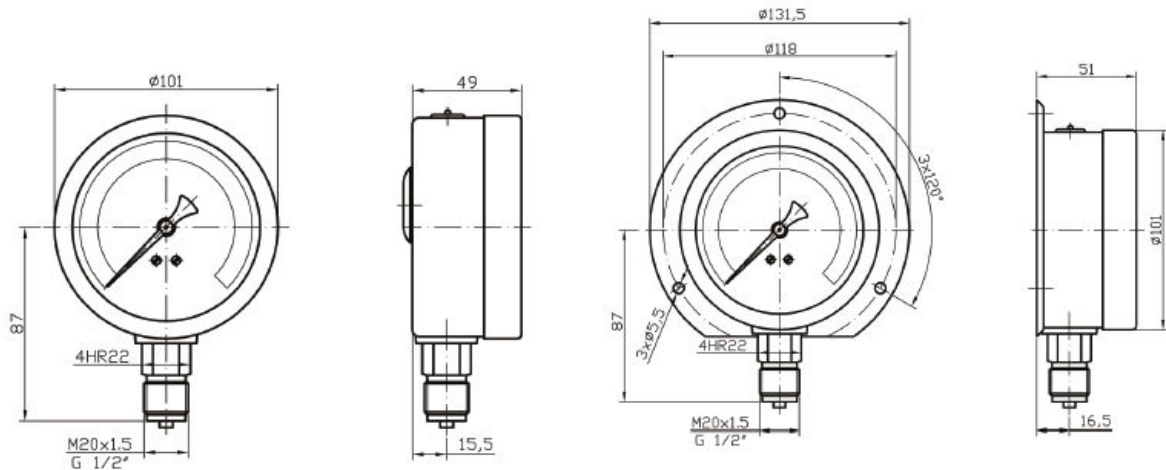
* marked execution on special request

Specifications are subject to change without notice

KL 100_K_117_2010_12_E



MMG Műszerszerviz Kft.
 1036 Budapest, Dereglye u. 1.,
 Tel/fax: 204-2252, Tel:203-7443
 Web: www.mmg.hu, E-mail: info@mmg.hu



IDENTIFICATION:

model	execution	pressure range	flange	weight
MM 100 K/117/1,6(1)	dry	0-0,6 bar ÷ 0-60 bar		500 g
MM 100 K/217/1,6(1)	dry	0-100 bar ÷ 0-1000 bar		500 g
MM 100 K/147/1,6(1)	dry	0-0,6 bar ÷ 0-60 bar	backward	600 g
MM 100 K/247/1,6(1)	dry	0-100 bar ÷ 0-1000 bar	backward	600 g
MM 100 G/117/1,6	glycerine	0-0,6 bar ÷ 0-60 bar		810 g
MM 100 G/217/1,6	glycerine	0-100 bar ÷ 0-1000 bar		810 g
MM 100 G/147/1,6	glycerine	0-0,6 bar ÷ 0-60 bar	backward	910 g
MM 100 G/247/1,6	glycerine	0-100 bar ÷ 0-1000 bar	backward	910 g