



**MMG Műszerszerviz Kft.**  
 1036 Budapest, Dereglye u. 1.,  
 Tel/fax: 204-2252, Tel:203-7443  
 Web: [www.mmg.hu](http://www.mmg.hu), E-mail: info@mmg.hu

**Mechanical pressure gauges**

**BOURDON TUBE PRESSURE GAUGE - STANDARD SERIES**

KL 100\_S\_117\_2010\_12\_E

**MM 100 S/117/1,6(1)**  
**MM 100 S/217/1,6(1)**



**Application:**

For all gaseous and low-viscosity liquid media that will not obstruct the pressure system or attack copper alloy parts.

Suitable for industry, heating, water supply, air-conditioning, pneumatics.

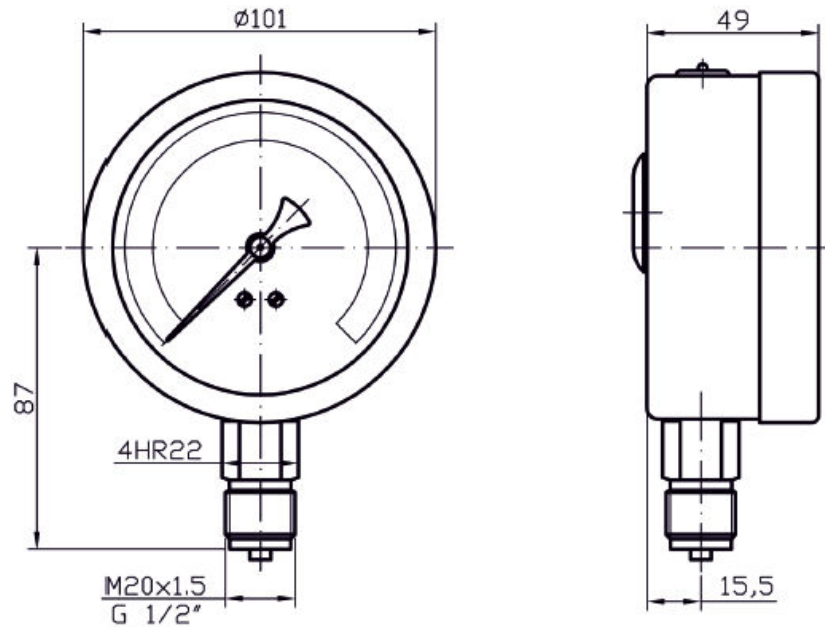
**Technical parameters:**

Construction:	EN 837-1
Nominal size	100 mm
Accuracy class	1,6% (1%)
Scale range	0-0,6 bar to 0-1000 bar
Working pressure	static load 75% of full scale value dynamic load 65% of full scale value
Operating temperature	ambient 20.....+60°C medium max. +60°C
Temperature effect	when temperature of the pressure element deviates from reference (+20°C) $\pm 0,04 \times (t_2 - t_1) \%$
Movement	brass
Dial	white aluminium, dial marking black
Pointer	black aluminium
Lens	glass
Case	bayonet, stainless steel
Measuring element	bourdon tube $\leq 60$ bar "C" type $> 60$ bar helical type
Socket	$\leq 60$ bar Cu-alloy $> 60$ bar stainless steel
Connection	lower mount (LM)
Connection thread	M 20x1,5 (G1/2, other)*
Protection	IP 31 EN 60 529
Options	*

\* marked execution on special request



**MMG Műszerszerviz Kft.**  
 1036 Budapest, Dereglye u. 1.,  
 Tel/fax: 204-2252, Tel:203-7443  
 Web: [www.mmgy.hu](http://www.mmgy.hu), E-mail: info@mmgy.hu



**IDENTIFICATION:**

model	execution	pressure range	flange	weight
<b>MM 100 S/117/1,6(1)</b>	dry	0-0,6 bar ÷ 0-60 bar		530 g
<b>MM 100 S/217/1,6(1)</b>	dry	0-100 bar ÷ 0-1000 bar		530 g