



MMG Műszerszerviz Kft.
1036 Budapest, Dereglye u. 1.,
Tel/fax: 204-2252, Tel:203-7443
Web: www.mmg.hu, E-mail: info@mmg.hu

Mechanical pressure gauges

LOW PRESSURE GAUGE WITH CAPSULE DIAPHRAGM

KL 100_S_317_2010_12_E

MM 100 S/317/1,6



Application:

Suitable for dry and gaseous media that will not obstruct the pressure system or attack copper alloy parts.

Suitable for gas industry, mechanical engineering, environmental technology, plant construction, industry and technological systems and medical.

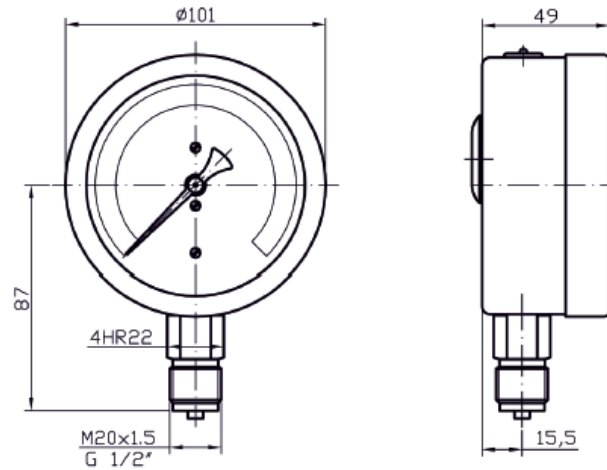
Technical parameters

Construction:	EN 837-3
Nominal size	100 mm
Accuracy class	1,6%
Scale range	0-25 mbar to 0-400 mbar vacuometer, manovacumeter*
Working pressure	static load 75% of full scale value dynamic load 65% of full scale value
Operating temperature	ambient -20.....+60°C medium max. +60°C
Temperature effect	when temperature of the pressure element deviates from reference (+20°C) $\pm 0,06 \times (t_2 - t_1) \%$
Movement	brass
Dial	white aluminium, dial marking black
Pointer	black aluminium
Lens	glass
Case	bayonet ring, stainless steel
Measuring element	capsule diaphragm
Socket	brass
Connection	lower mount (LM),
Connection thread	M 20x1,5 (G1/2, other)*
Protection	IP 31 EN 60 529
Options	*

* marked execution on special request



MMG Műszerszerviz Kft.
1036 Budapest, Dereglye u. 1.,
Tel/fax: 204-2252, Tel:203-7443
Web: www.mmgy.hu, E-mail: info@mmgy.hu



IDENTIFICATION:

model	execution	pressure range	weight
MM 100 S/317/1,6	dry	0-25 mbar ÷ 0-400 mbar	600 g