



MMG Műszerszerviz Kft.
 1036 Budapest, Dereglye u. 1.,
 Tel/fax: 204-2252, Tel:203-7443
 Web: www.mmg.hu, E-mail: info@mmg.hu

Mechanical pressure gauges

**DIFFERENTIAL PRESSURE GAUGE
 WITH CAPSULA ELEMENT**

KL 100_F_317_2010_12_E



- MM 100 F/317/1,6**
- MM 100 F/617/1,6**
- MM 160 F/317/1,6**
- MM 160 F/617/1,6**

Application:

For all gaseous, dry, clean, very low pressure media that will not obstruct the pressure system or attack copper alloy parts. Oil and grease free media. Type MM 100 F/617/1,6 and MM 160 F/617/1,6 for aggressive media

Suitable for working environment monitoring, heating, air conditioning. For measuring of pressure difference between two pressures at filters, heating circuit, etc.

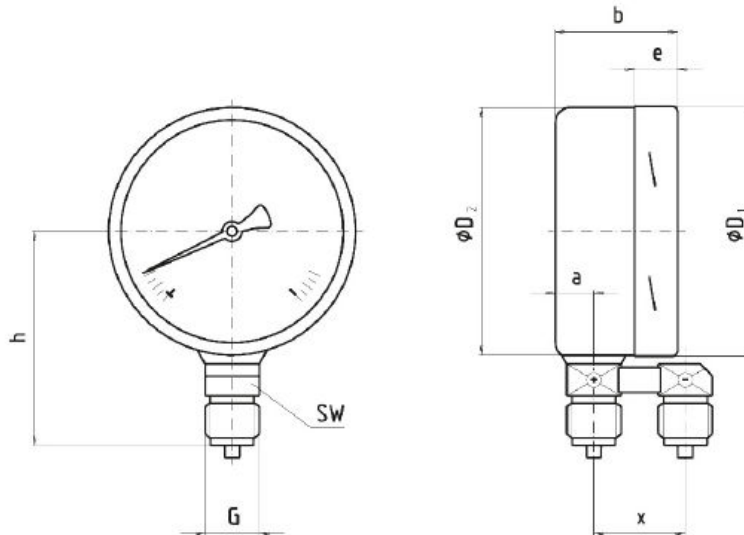
Technical parameters:

Construction	EN 837-1
Nominal size	100 mm, 160 mm
Accuracy glass	1,6%
Scale range	0-16 mbar to 0-250 mbar
Working pressure	Static load 75% of full scale value dynamic load 65% of full scale value
Operating temperature	ambient - 20.....+60°C medium max +60°C
Temperature effect	when temperature of the pressure element deviates from reference(+ 20°C) ± 0,05x(t ₂ -t ₁)%
Movement	brass/stainless steel*
Dial	white aluminium, dial marking black
Pointer	black, second
Lens	polycarbonate
Case	bayonet ring, stainless steel
Measuring element	capsula diaphragm brass/stainless steel*
Socket	brass stainless steel*
Connection	2x lower mount (LM)
Connection thread	M 20x1,5 (G 1/2, other)*
Protection	IP 66 EN 60 529
Options	backward flange*

* marked execution on special request



MMG Műszerszerviz Kft.
 1036 Budapest, Dereglye u. 1.,
 Tel/fax: 204-2252, Tel:203-7443
 Web: www.mmg.hu, E-mail: info@mmg.hu



dimension (mm)						
a	b	D	G	h	x	SW
15,5	48,5	100	M 20x1,5	87	37	22
15,5	48,5	160	G 1/2	118	37	22

IDENTIFICATION:

model	execution	pressure range	flange	weight
MM 100 F/317/1,6	brass	0-16 mbar ÷ 0-250 mbar	on request	730 g
MM 100 F/617/1,6	stainless steel	0-16 mbar ÷ 0-250 mbar	on request	750 g
MM 160 F/317/1,6	brass	0-16 mbar ÷ 0-250 mbar	on request	1350 g
MM 160 F/617/1,6	stainless steel	0-16 mbar ÷ 0-250 mbar	on request	1350 g