



MMG Műszerszerviz Kft.
1036 Budapest, Dereglye u. 1.,
Tel/fax: 204-2252, Tel:203-7443
Web: www.mmg.hu, E-mail: info@mmg.hu

Mechanical pressure gauges

LOW PRESSURE GAUGE WITH CAPSULE DIAPHRAGM

KL 100_K_617_2010_12_E

MM 100 K/617/1,6(1)
MM 160 K/617/1,6(1)



Application:

Suitable for dry and gaseous media that do not crystallize, which are corrosive and aggressive, also in aggressive ambience.

Suitable for gas industry, mechanical engineering, environmental technology, plant construction, industry and technological systems and medical.

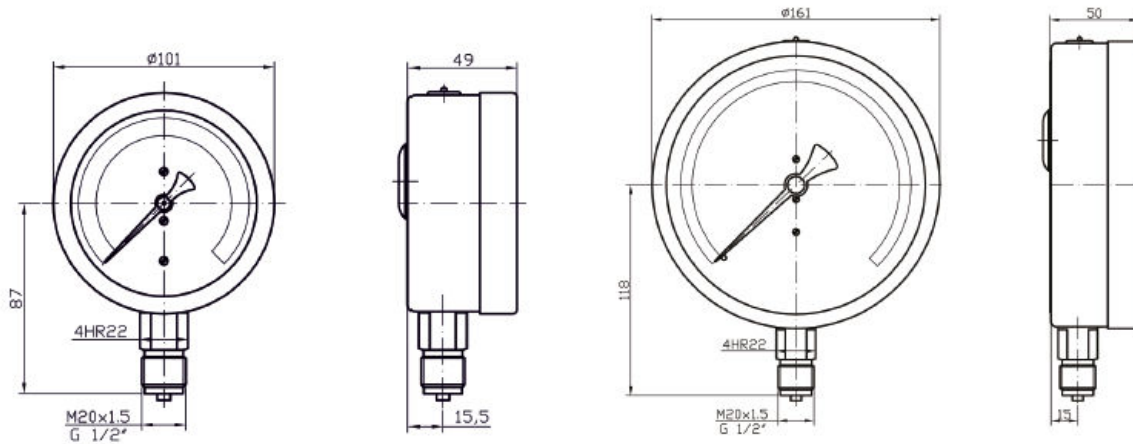
Technical parameters

Construction:	EN 837-3
Nominal size	100 mm, 160 mm
Accuracy class	1,6%(1%)
Scale range	0-25 mbar to 0-400 mbar vacuometer, manovacuumeter*
Working pressure	static load 75% of full scale value dynamic load 65% of full scale value
Operating temperature	ambient -20.....+60°C medium max. +60°C
Temperature effect	when temperature of the pressure element deviates from reference (+20°C) $\pm 0,06 \times (t_2 - t_1) \%$
Movement	stainless steel 1.4571
Dial	white aluminium, dial marking black
Pointer	black aluminium
Lens	glass
Case	bayonet ring, stainless steel
Measuring element	capsule diaphragm
Socket	stainless steel 1.4301, 1.4571*
Connection	lower mount (LM),
Connection thread	M 20x1,5 (G1/2, other)*
Protection	IP 31 EN 60 529
Options	*glycerine fillable

* marked execution on special request



MMG Műszerszerviz Kft.
 1036 Budapest, Dereglye u. 1.,
 Tel/fax: 204-2252, Tel:203-7443
 Web: www.mmg.hu, E-mail: info@mmg.hu



IDENTIFICATION:

model	execution	pressure range	weight
MM 100 K/617/1,6(1)	dry	0-25 mbar ÷ 0-400 mbar	600 g
MM 100 G/617/1,6	glycerine	0-25 mbar ÷ 0-400 mbar	900 g
MM 160 K/617/1,6(1)	dry	0-25 mbar ÷ 0-400 mbar	1010 g
MM 160 G/617/1,6	glycerine	0-25 mbar ÷ 0-400 mbar	1890 g