



MMG Műszerszerviz Kft.
1036 Budapest, Dereglye u. 1.,
Tel/fax: 204-2252, Tel:203-7443
Web: www.mmg.hu, E-mail: info@mmg.hu

Mechanical pressure gauges

TEST PRESSURE GAUGE WITH BOURDON TUBE Ø 160

KL 160_K_117_0,6_2011_01_E

MM 160 K/117/0,6
MM 160 G/117/0,6



Application:

For all gaseous and low-viscosity liquid media that will not obstruct the pressure system or attack copper alloy parts.

Testing and comparing process instruments and measuring services where high accuracy is required.

With liquid filled case for applications with high dynamic pressure pulsations or vibrations.

Technical parameters:

Construction	EN 837-1
Nominal size	160 mm
Accuracy class	0,6%
Scale range	0-60 kPa to 0-100 MPa, 0-0,6 bar to 0-1000 bar
Working pressure	static load 75% of full scale value dynamic load 65% of full scale value
Operating temperature	ambient -20°C ... 60°C
Temperature effect	medium max. -20°C ... 100°C when temperature of the pressure element deviates from reference (+20°C) $\pm 0,04 \times (t_2 - t_1) \%$
Movement	brass,
Dial	white aluminium, dial marking black
Pointer	black aluminium, knife edged
Lens	glass
Case	bayonet ring, stainless steel
Measuring element	bourdon tube C type up to 100 bar bourdon tube coiled type over 100 bar
Calibration medium	inert gas (nitrogen N) / water
Socket	brass
Connection	lower mount (LM)
Connection thread	M 20x1,5 (G1/2, other)*
Protection	IP 65 EN 60 529
Options	backward flange* glycerine filled* mirror scale*

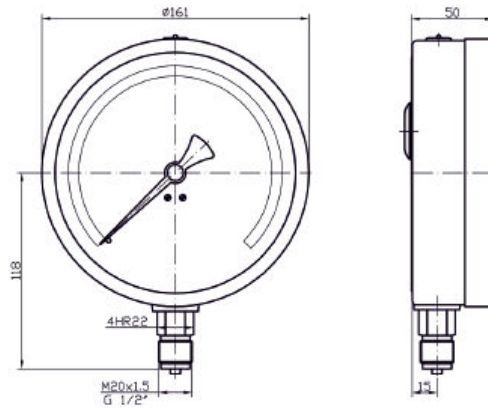
* marked execution on special request

Specifications are subject to change without notice

KL 160_K_117_0,6_2011_01_E



MMG Műszerszerviz Kft.
 1036 Budapest, Dereglye u. 1.,
 Tel/fax: 204-2252, Tel:203-7443
 Web: www.mmg.hu, E-mail: info@mmg.hu



IDENTIFICATION:

model	execution	pressure range	weight
MM 160 K/117/0,6	dry	0-0,6 bar ÷ 0-100 bar	1150 g
MM 160 K/217/0,6	dry	0-160 bar ÷ 0-1000 bar	1150 g
MM 160 G/117/0,6	glycerine	0-0,6 bar ÷ 0-100 bar	1895 g
MM 160 G/217/0,6	glycerine	0-160 bar ÷ 0-1000 bar	1895 g