



MMG Műszerszerviz Kft.
1036 Budapest, Dereglye u. 1.,
Tel/fax: 204-2252, Tel:203-7443
Web: www.mmg.hu, E-mail: info@mmg.hu

Mechanical pressure gauges

PRESSURE GAUGE WITH ELECTRICAL CONTACTS

KL 160_N_117_1,6_2011_01_E

MM 160 N/117/1,6
MM 160 N/417/1,6



Application:

For all gaseous and low-viscosity liquid media that will not obstruct the pressure system or attack copper alloy / stainless steel parts.

Suitable for industry, heating, water supply, air-conditioning, pneumatics. Pressure gauge for use and control of pressure facilities.

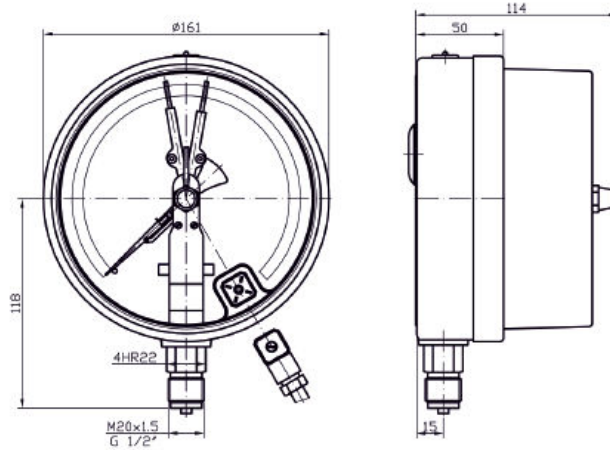
Technical parameters:

Construction	EN 837-1
Nominal size	160 mm
Accuracy class	1,6%
Scale range	0-100 kPa to 0-100 MPa, 0-1 bar to 0-1000 bar
Working pressure	static load 75% of full scale value dynamic load 65% of full scale value
Operating temperature	ambient 20.....+60°C medium max. +60°C
Temperature effect	when temperature of the pressure element deviates from reference +20°C $\pm 0,04 \times (t_2 - t_1) \%$
Movement	brass (stainless steel*)
Dial	white aluminium, dial marking black
Pointer	black aluminium
Lens	polycarbonate
Case	bayonet ring, stainless steel
Measuring element	bourdon tube brass (stainless steel 1.4571)* ≤ 100 bar "C" type > 100 bar helical type
Socket	brass (stainless steel*)
Connection	lower mount (LM)
Connection thread	M 20x1,5 (G1/2, other)*
Protection	IP 65 EN 60 529
Options	*
Electrical contacts	magnetic contacts M11, M12, M21, M22

* marked execution on special request



MMG Műszerszerviz Kft.
 1036 Budapest, Dereglye u. 1.,
 Tel/fax: 204-2252, Tel:203-7443
 Web: www.mmg.hu, E-mail: info@mmg.hu



IDENTIFICATION:

model	execution	pressure range	material	weight
MM 160 N/117/1,6	dry	0-1 bar ÷ 0-100 bar	brass	1050 g
MM 160 N/217/1,6	dry	0-160 bar ÷ 0-1000 bar	brass	1050 g
MM 160 N/417/1,6	dry	0-1 bar ÷ 0-100 bar	stainless steel	1050 g
MM 160 N/517/1,6	dry	0-160 bar ÷ 0-1000 bar	stainless steel	1050 g

Specifications for ELECTRICAL CONTACTS:

Operating voltage	250 V max.
Making current	1 A max.
Breaking current	1 A max.
Permanent current	0,6 A max.
Switch capacity	AC 30W, DC 50VA max.
Contact material	Ag80Ni20
Contact version	magnetic SNAP ACTION
Contact configuration	min-min, min-max, max-min, max-max
Produce	EN 60947

