



MMG Műszerszerviz Kft.
 1036 Budapest, Dereglye u. 1.,
 Tel/fax: 204-2252, Tel:203-7443
 Web: www.mmg.hu, E-mail: info@mmg.hu

Mechanical pressure gauges

**TEST PRESSURE GAUGE
 WITH BOURDON TUBE Ø 160**

KL 160_P_114_0,6_2011_01_E

MM 160 P/114/0,6



Application:

For all gaseous and low-viscosity liquid media that will not obstruct the pressure system or attack copper alloy parts.

Testing and comparing process instruments and measuring services where high accuracy is required.

Technical parameters:

Construction	EN 837-1
Nominal size	160 mm
Accuracy class	0,6%
Scale range	0-60 kPa to 0-100 MPa, 0-0,6 bar to 0-1000 bar
Working pressure	static load 75% of full scale value dynamic load 65% of full scale value
Operating temperature	ambient +20°C ± 2°C medium max. +20°C ± 2°C
Temperature effect	when temperature of the pressure element deviates from reference (+20°C) ± 0,04x(t ₂ -t ₁)%
Movement	brass,
Dial	white aluminium, dial marking black
Pointer	black aluminium, knife edged
Lens	glass
Case	black aluminium chromium plated
Measuring element	bourdon tube C type up to 100 bar bourdon tube coiled type over 100 bar
Calibration medium	inert gas (nitrogen N)
Socket	brass
Connection	lower mount (LM)
Connection thread	M 20x1,5 (G1/2, other)*
Protection	IP 31 EN 60 529
Options	*

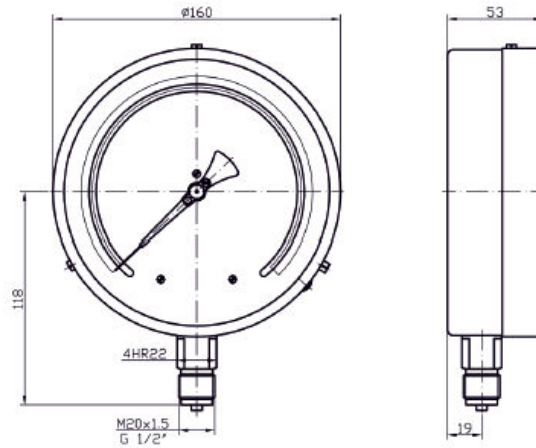
* marked execution on special request

Specifications are subject to change without notice

KL 160_P_114_0,6_2011_01_E



MMG Műszerszerviz Kft.
1036 Budapest, Dereglye u. 1.,
Tel/fax: 204-2252, Tel:203-7443
Web: www.mmg.hu, E-mail: info@mmg.hu



IDENTIFICATION:

model	execution	pressure range	weight
MM 160 P/114/0,6	dry	0-0,6 bar ÷ 0-100 bar	1150 g
MM 160 P/214/0,6	dry	0-160 bar ÷ 0-1000 bar	1150 g