



MMG Műszerszerviz Kft.
1036 Budapest, Dereglye u. 1.,
Tel/fax: 204-2252, Tel:203-7443
Web: www.mmg.hu, E-mail: info@mmg.hu

Mechanical pressure gauges

BOURDON TUBE PRESSURE GAUGE - STANDARD SERIES

KL 160_S_117_2010_12_E

MM 160 S/117/1,6(1)
MM 160 S/217/1,6(1)



Application:

For all gaseous and low-viscosity liquid media that will not obstruct the pressure system or attack copper alloy parts.

Suitable for industry, heating, water supply, air-conditioning, pneumatics.

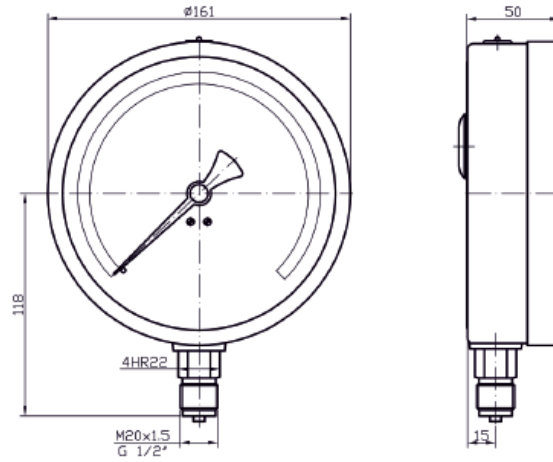
Technical parameters

Construction:	EN 837-1
Nominal size	160 mm
Accuracy class	1,6% (1 %)
Scale range	0-0,6 bar to 0-1000 bar
Working pressure	static load 75% of full scale value dynamic load 65% of full scale value
Operating temperature	ambient -20.....+60°C
Temperature effect	medium max. +60°C when temperature of the pressure element deviates from reference (+20°C) $\pm 0,04 \times (t_2 - t_1) \%$
Movement	brass
Dial	white aluminium, dial marking black
Pointer	black aluminium
Lens	glass
Case	bayonet ring, stainless steel
Measuring element	bourdon tube ≤ 60 bar "C" type > 60 bar helical type
Socket	≤ 60 bar Cu-alloy > 60 bar stainless steel
Connection	lower mount (LM)
Connection thread	M 20x1,5 (G1/2, other)*
Protection	IP 31 EN 60 529
Options	*

* marked execution on special request



MMG Műszerszerviz Kft.
1036 Budapest, Dereglye u. 1.,
Tel/fax: 204-2252, Tel:203-7443
Web: www.mmg.hu, E-mail: info@mmg.hu



IDENTIFICATION:

model	execution	pressure range	weight
MM 160 S/117/1,6(1)	dry	0-0,6 bar ÷ 0-100 bar	970 g
MM 160 S/217/1,6(1)	dry	0-160 bar ÷ 0-1000 bar	970 g