



MMG Műszerszerviz Kft.
1036 Budapest, Dereglye u. 1.,
Tel/fax: 204-2252, Tel:203-7443
Web: www.mmg.hu, E-mail: info@mmg.hu

Mechanical pressure gauges

BOURDON TUBE PRESSURE GAUGE - STAINLESS STEEL SERIES

KL 60_K_417_2010_12_E



MM 60 K/417/1,6
MM 60 K/517/1,6
MM 60 G/417/1,6
MM 60 G/517/1,6

Application:

Suitable for corrosive environments and gaseous or liquid media that will not obstruct the pressure system. With liquid filled case for applications with high dynamic pressure pulsations or vibrations.

Suitable for chemical industry, petro-chemical industry, mining industry, mechanical engineering, environmental technology and plant construction.

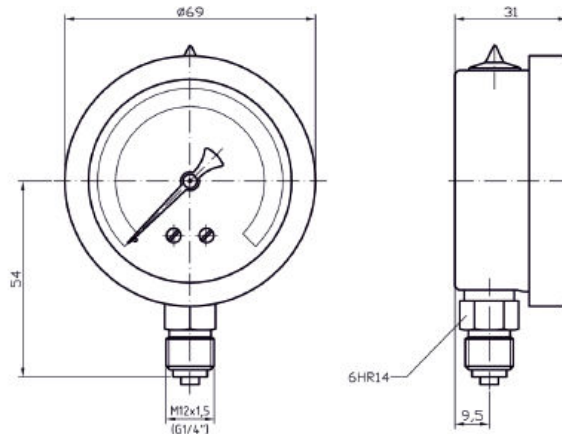
Technical parameters

Construction:	EN 837-1
Nominal size:	63 mm
Accuracy class:	1,6%
Scale range:	0-0,6 bar to 0-600 bar
Working pressure:	static load 75% of full scale value dynamic load 65% of full scale value
Operating temperature	ambient 20.....+60°C without liquid filling ambient 20.....+60°C with liquid filling medium max. +80°C without liquid filling medium max. +80°C with liquid filling
Temperature effect:	when temperature of the pressure element deviates from reference (+20°C) $\pm 0,04 \times (t_r - t_r) \%$
Movement:	brass
Dial:	white aluminium, dial marking black
Pointer:	black aluminium
Lens:	polycarbonate
Case:	bayonet ring, stainless steel
Measuring element:	bourdon tube 1,4571 ≤ 60 bar „C“ type > 60 bar helical type
Socket:	stainless steel 1,4301 (1,4571)*
Connection:	lower mount (LM)
Connection thread:	M 12x1,5 (G1/4, other)*
Protection:	IP 65 EN 60 529
Filling:	glycerine (silicone)*
Options:	

* marked execution on special request



MMG Műszerszerviz Kft.
 1036 Budapest, Dereglye u. 1.,
 Tel/fax: 204-2252, Tel:203-7443
 Web: www.mmg.hu, E-mail: info@mmg.hu



IDENTIFICATION:

model	execution	pressure range	weight
MM 60 K/417/1,6	dry	0-0,6 bar ÷ 0-60 bar	115 g
MM 60 K/517/1,6	dry	0-100 bar ÷ 0-600 bar	115 g
MM 60 K/417/1,6	glycerine	0-0,6 bar ÷ 0-60 bar	185 g
MM 60 K/517/1,6	glycerine	0-100 bar ÷ 0-600 bar	185 g