



MMG Műszerszerviz Kft.
 1036 Budapest, Dereglye u. 1.,
 Tel/fax: 204-2252, Tel:203-7443
 Web: www.mmg.hu, E-mail: info@mmg.hu

Thermometers

**INDUSTRIAL BIMETALIC
 THERMOMETER - STAINLESS STEEL**

KL TCH_2011_02_E



TCHR 31.10
TCHA 30.10

Application:

Bimetal thermometer is certain for contact measurement of temperature of gaseous or liquid media.

Suitable for chemical industry, food industry, mechanical engineering.

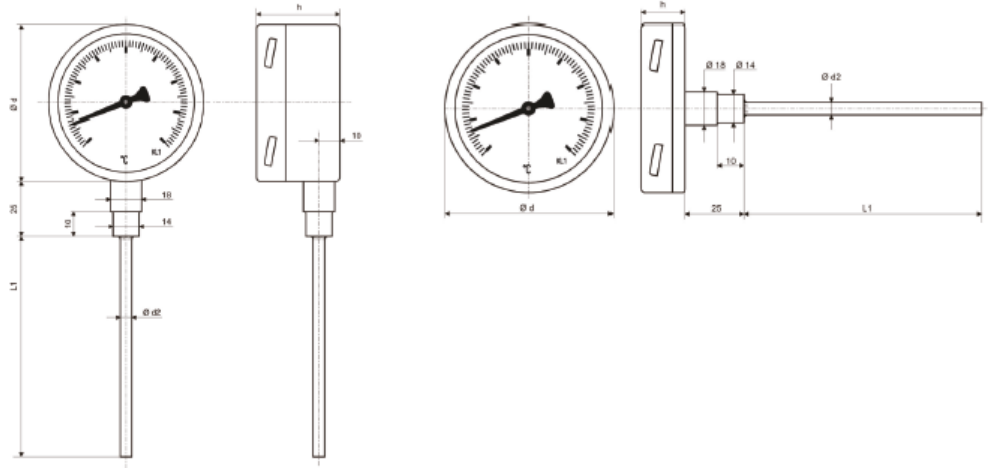
Technical parameters:

Construction:	EN 13 390
Nominal size	63, 80, 100, 160 mm
Thermometer body	bayonet ring, stainless steel
Lens	glass
Dial	white aluminium
Pointer	black aluminium
Scale	black print
Measure element	bimetal strip
Accuracy	class 1 DIN 16 203
Immersion and protection tube	stainless steel
Diam. of immersion tube	6, 8, 10, 12 mm
Length of immersion tube	50, 100, 160, 200, 400 mm
Temperature range	-30/50, 0/60, 0/120, 0/160, 0/200, 0/350, 0/500 °C
Connection	TCHR - bottom, TCHA - center back
Ambient temperature	-20/60°C
Protection	IP65
Options	another range another unit liquid filling, front or backward flange magnetic contacts
Notice	measuring part of thermometer must be immersed into measuring medium. Use thermometer with protection thermowell.

* marked execution on special request



MMG Műszerszerviz Kft.
 1036 Budapest, Dereglye u. 1.,
 Tel/fax: 204-2252, Tel:203-7443
 Web: www.mmg.hu, E-mail: info@mmg.hu

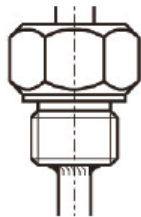


Dimension mm	
Dimension d 2	6 mm
	8 mm
	10 mm

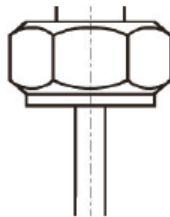
Dimension mm	
d	h
160	28
100	28
80	24
63	20

Connection thread	
G 1/2	M 18x1,5
G 3/4	M 20x1,5
G 1	M 24x1,5

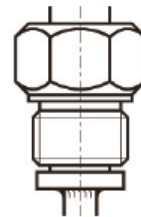
Fixed thread



Union nut



Circular thread



Identification:

Type	Connection	Mounting
TCHR 31.10	stem	bottom
TCHR 31.11	with fixed thread	bottom
TCHR 31.12	with circular thread	bottom
TCHR 31.13	with union nut	bottom
TCHA 30.10	stem	backward
TCHA 30.11	with fixed thread	backward
TCHA 30.12	with circular thread	backward
TCHA 30.13	with union nut	backward



MMG Műszerszerviz Kft.
1036 Budapest, Dereglye u. 1.,
Tel/fax: 204-2252, Tel:203-7443
Web: www.mmg.hu, E-mail: info@mmg.hu