

**MMG Műszerszerviz Kft.**  
 1036 Budapest, Dereglye u. 1.,  
 Tel/fax: 204-2252, Tel:203-7443  
 Web: [www.mmg.hu](http://www.mmg.hu), E-mail: info@mmg.hu

**Thermometers**

**GAS EXPANSION THERMOMETER  
 STAINLESS STEEL WITH STEM**

KL TPA\_2011\_02\_E



**TPA 40.10**  
**TPR 41.10**

**Application:**

Thermometer is certain for contact measurement of temperature of gaseous or liquid media.

Suitable for chemical industry, food industry, mechanical engineering.

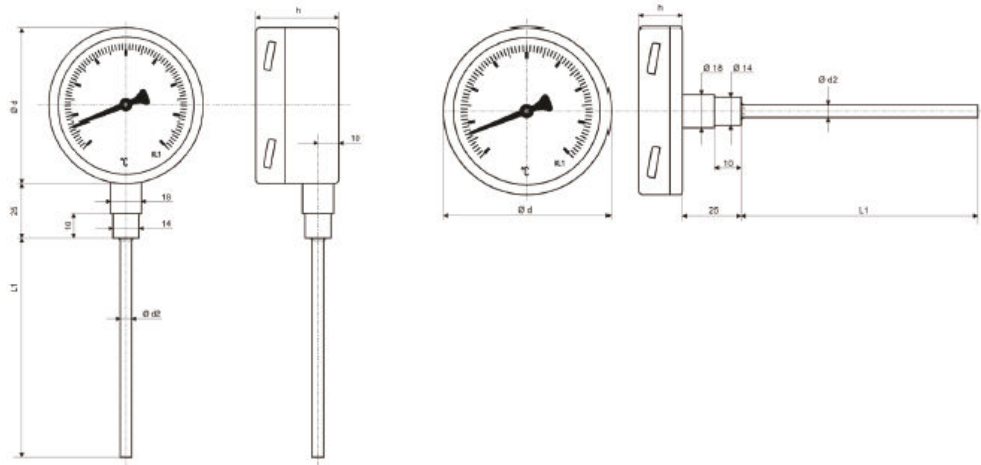
**Technical parameters:**

Construction:	DIN 16 205
Nominal size	63, 80, 100, 160 mm
Thermometer body	bayonet ring, stainless steel
Lens	glass
Dial	white aluminium
Pointer	black aluminium
Scale	black print
Measure element	liquid expansion
Accuracy	class 1 DIN 16 203
Immersion and protection tube	stainless steel
Diam. of immersion tube	6, 8, 10, 12 mm
Length of immersion tube	50, 100, 160, 200, 400 mm
Temperature range	-150.....700 °C
Connection	TPR - bottom, TPA - center back
Ambient temperature	-20/60°C
Protection	IP65
Options	another range another unit liquid filling, front or backward flange magnetic contacts
Notice	measuring part of thermometer must be immersed in to measuring medium. Use thermometer with protection thermowell.

\* marked execution on special request



**MMG Műszerszerviz Kft.**  
 1036 Budapest, Dereglye u. 1.,  
 Tel/fax: 204-2252, Tel:203-7443  
 Web: [www.mmg.hu](http://www.mmg.hu), E-mail: info@mmg.hu

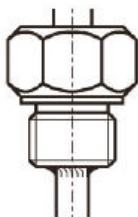


Dimmension mm	
rozmer	6 mm
d 2	8 mm
	10 mm

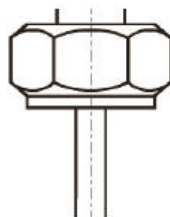
Dimmension	
d	h
160	28
100	28
80	24
63	20

Connection thread	
G 1/2	M 18x1,5
G 3/4	M 20x1,5
G 1	M 24x1,5

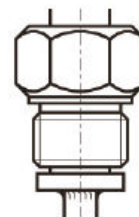
**Fixed thread**



**Union nut**



**Circular thread**



**IDENTIFICATION**

Type	Connection	Mounting
<b>TPR 41.10</b>	stem	bottom
<b>TPR 41.11</b>	with fixed thread	bottom
<b>TPR 41.12</b>	with circular thread	bottom
<b>TPR 41.13</b>	with union nut	bottom
<b>TPA 40.10</b>	stem	backward
<b>TPA 40.11</b>	with fixed thread	backward
<b>TPA 40.12</b>	with circular thread	backward
<b>TPA 40.13</b>	with union nut	backward