



MMG Műszerszerviz Kft.
 1036 Budapest, Dereglye u. 1.,
 Tel/fax: 204-2252, Tel:203-7443
 Web: www.mmg.hu, E-mail: info@mmg.hu

Mechanical pressure gauges

BOURDON TUBE PRESSURE GAUGE FOR REFRIGERATION SYSTEMS

KL 100_R_417_2010_12_E



MM 100 R/417/1,6(1)
MM 100 C/417/1,6
MM 160 R/417/1,6(1)
MM 160 C/417/1,6

Application:

Suitable for measuring of pressures and temperatures in refrigeration systems especially:
 R 134a, R 134a/R 22, R 22/R 12R 505, R12, R 404 A, R 407 A, R 410A, R 717 (NH3)
 Dedicated to media which do not obstruct stainless steel parts.
 With liquid filled case for applications with high dynamic pressure pulsations or vibrations.

Technical parameters:

Construction:	EN 837-1
Nominal size:	100 mm, 160 mm
Accuracy class:	1,6%(1%)
Scale range:	-1...0...9 bar, -1...0...15 bar, -1...0...24 bar
Working pressure:	static load 75% of full scale value dynamic load 65% of full scale value
Operating temperature	ambient -20.....+60°C without liquid filling
Temperature effect:	ambient -20.....+60°C with liquid filling when temperature of the pressure element deviates from reference (+20°C) ± 0,04x(t _e -t _i)%
Movement:	brass
Dial:	white aluminium, dial marking black for pressure and dial marking colour for temperature
Pointer:	black aluminium
Lens:	glass (laminated safety glass)*
Case:	bayonet ring, stainless steel
Measuring element:	bourdon tube 1.4571 ≤ 60 bar „C” type > 60 bar helical type
Socket:	stainless steel 1.4301
Connection:	lower mount (LM)
Connection thread:	M 20x1,5 (G1/2, other)*
Protection:	IP 65 EN 60 529
Filling:	glycerine (silicone)*
Options:	backward flange* dial for temperature of refrigeration systems at request

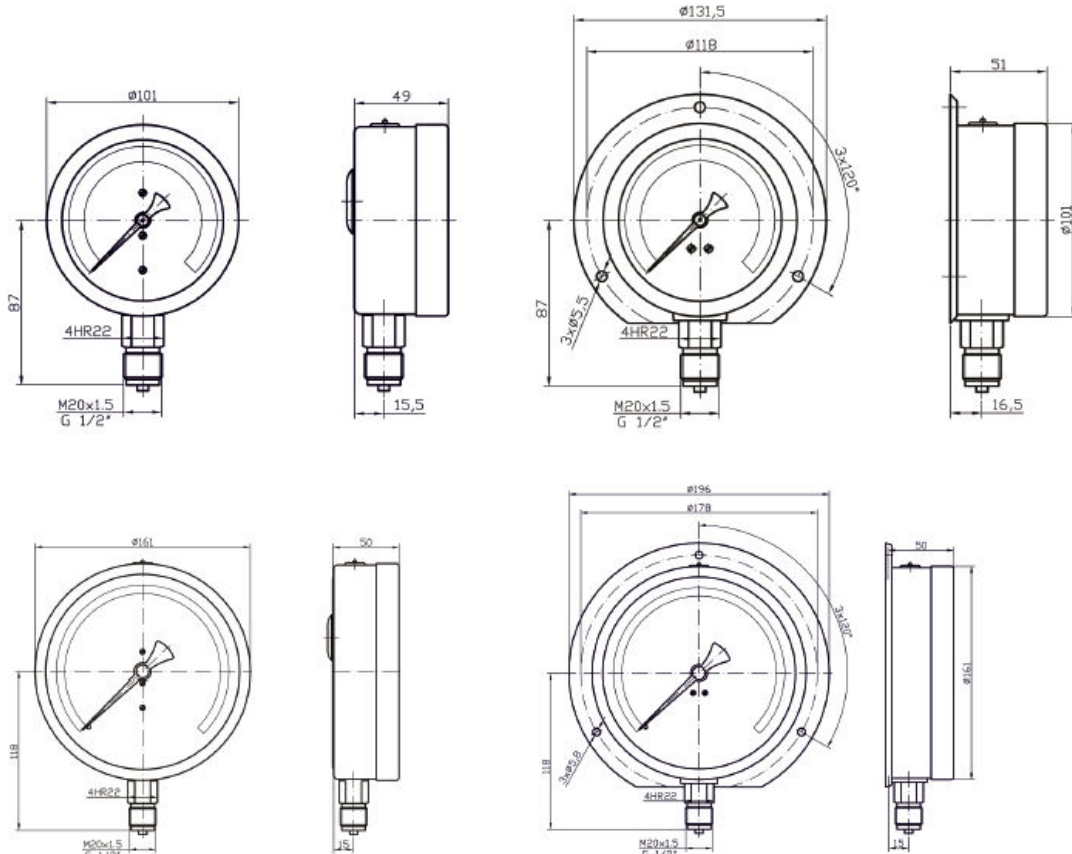
* marked execution on special request

Specifications are subject to change without notice

KL 100_R_417_2010_12_E



MMG Műszerszerviz Kft.
 1036 Budapest, Dereglye u. 1.,
 Tel/fax: 204-2252, Tel:203-7443
 Web: www.mmg.hu, E-mail: info@mmg.hu



IDENTIFICATION:

model	execution	pressure range	flange	weight
MM 100 R/417/1,6(1)	dry	-1...0...9 bar,-1...0...15 bar,-1...0...24 bar	backward (on request)	500 g
MM 100 C/417/1,6	glycerine	-1...0...9 bar,-1...0...15 bar,-1...0...24 bar	backward (on request)	810 g
MM 160 R/417/1,6(1)	dry	-1...0...9 bar,-1...0...15 bar,-1...0...24 bar	backward (on request)	1050 g
MM 160 C/417/1,6	glycerine	-1...0...9 bar,-1...0...15 bar,-1...0...24 bar	backward (on request)	1895 g

