



MMG Műszerszerviz Kft.
1036 Budapest, Dereglye u. 1.,
Tel/fax: 204-2252, Tel:203-7443
Web: www.mmg.hu, E-mail: info@mmg.hu

Mechanical pressure gauges

BOURDON TUBE PRESSURE GAUGE - STAINLESS STEEL SERIES HIGH OVERPRESSURE SAFETY

KL 100_K_417_HO_2010_12_E



MM 100 K/417/1/HO
MM 160 K/417/1/HO

Application:

Suitable for corrosive environments and gaseous or liquid media that will not obstruct the pressure system. With liquid filled case for applications with high dynamic pressure pulsations or vibrations.

Especially suited for occasional short-duration overpressure of up to 4 times measuring range, increase safety requirements S3.

Suitable for chemical industry, petro-chemical industry, mining industry, mechanical engineering, environmental technology and plant construction.

Technical parameters:

Construction:	EN 837-1
Nominal size:	100 mm, 160 mm
Accuracy class:	1%
Scale range: Working pressure:	0-0,6 bar to 0-40 bar static load 75% of full scale value dynamic load 65% of full scale value short time - overload range
Operating temperature:	ambient 40.....+60°C without liquid filling ambient 20.....+60°C with liquid filling medium max. +200°C without liquid filling medium max. +100°C with liquid filling
Temperature effect:	when temperature of the pressure element deviates from reference (+20°C) $\pm 0,04 \times (t_2 - t_1) \%$ stainless steel
Movement Dial : Pointer: Lens: Case:	white aluminium, dial marking black black aluminium glass, (laminated safety glass)* bayonet ring, stainless steel, solid baffle wall blow - out back
Measuring element:	bourdon tube 1.4571
Socket:	stainless steel 1.4301 (1.4571)*
Connection: Connection thread:	lower mount (LM), M 20x1,5 (G1/2, other)*
Protection: Filling:	IP 65 EN 60 529 glycerine (silicone)*
Options:	*

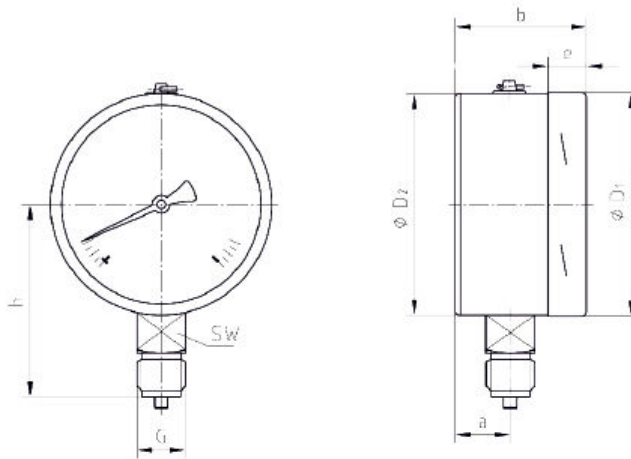
* marked execution on special request

Specifications are subject to change without notice

KL 100_K_417_HO_2010_12_E



MMG Műszerszerviz Kft.
 1036 Budapest, Dereglye u. 1.,
 Tel/fax: 204-2252, Tel:203-7443
 Web: www.mmg.hu, E-mail: info@mmg.hu



diameter (mm)	dimension (mm)							
	a	b	D1	D2	e	G	h	SW
100	25	59,5	101	100	17	G 1/2 M 20x1,5	87	22
160	27	65	161	159	17,5		118	

IDENTIFICATION:

model	execution	pressure range	weight
MM 100 K/417/1/HO	dry	0-0,6 bar ÷ 0-40 bar	650 g
MM 160 K/417/1/HO	dry	0-0,6 bar ÷ 0-40 bar	1300 g
MM 100 G/417/1/HO	glycerine	0-0,6 bar ÷ 0-40 bar	1100 g
MM 160 G/417/1/HO	glycerine	0-0,6 bar ÷ 0-40 bar	2350 g

Overpressure ranges	
-1/0	3
0/0,6	2,5
0/1	4
0/1,6	6
0/2,5	10
0/4	16
0/6	25
0/10	40
0/16	60
0/25	80
0/40	100



MMG Műszerszerviz Kft.
1036 Budapest, Dereglye u. 1.,
Tel/fax: 204-2252, Tel:203-7443
Web: www.mmg.hu, E-mail: info@mmg.hu